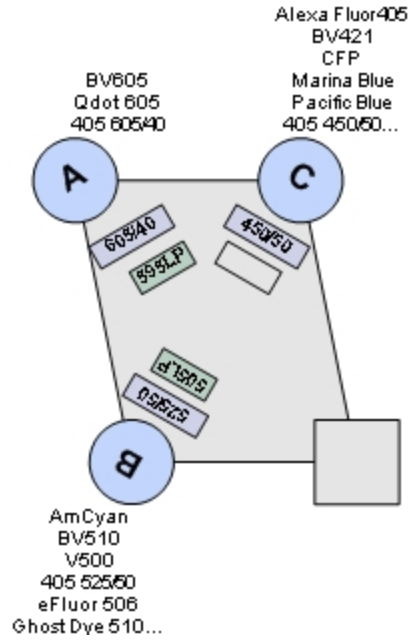


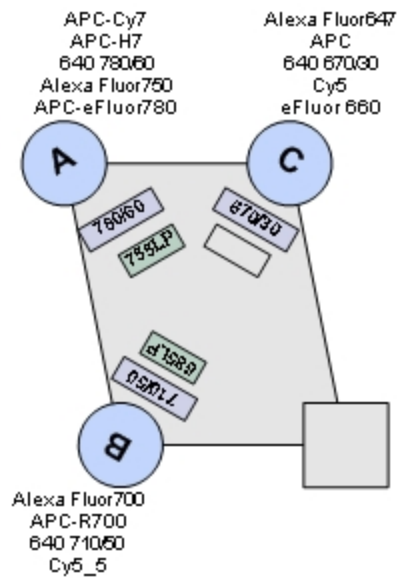
LSRII#17_Oct2017_Standard Config

Cytometer:	LSRII	User:	Administrator
Cytometer Name:	LSRII	Institution:	COHBRI
Serial Number:	1	Software:	BD FACSDiva 8.0.1
Input Device:	HTS	Date:	10/17/2017 2:17:48 PM
Window Extension:	10.00		

Violet Laser (407nm)

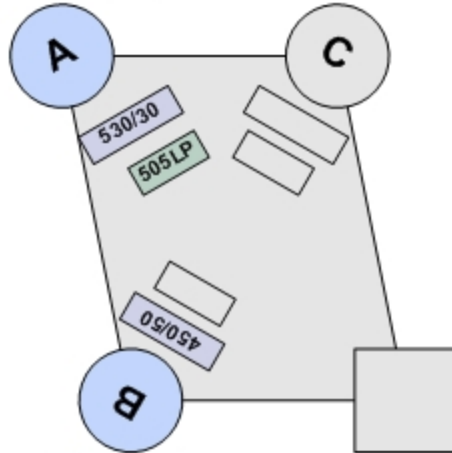


Red Laser (633nm)



355 UV Laser
(355nm)

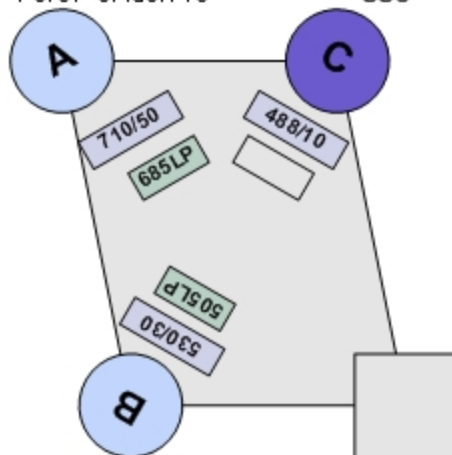
Indo-1 (Blue)
Qdot 525
355 530/30
BUV496
Qdot 545



Alexa Fluor 350
DAPI
Hoechst
Indo-1 (Violet)
355 450/50

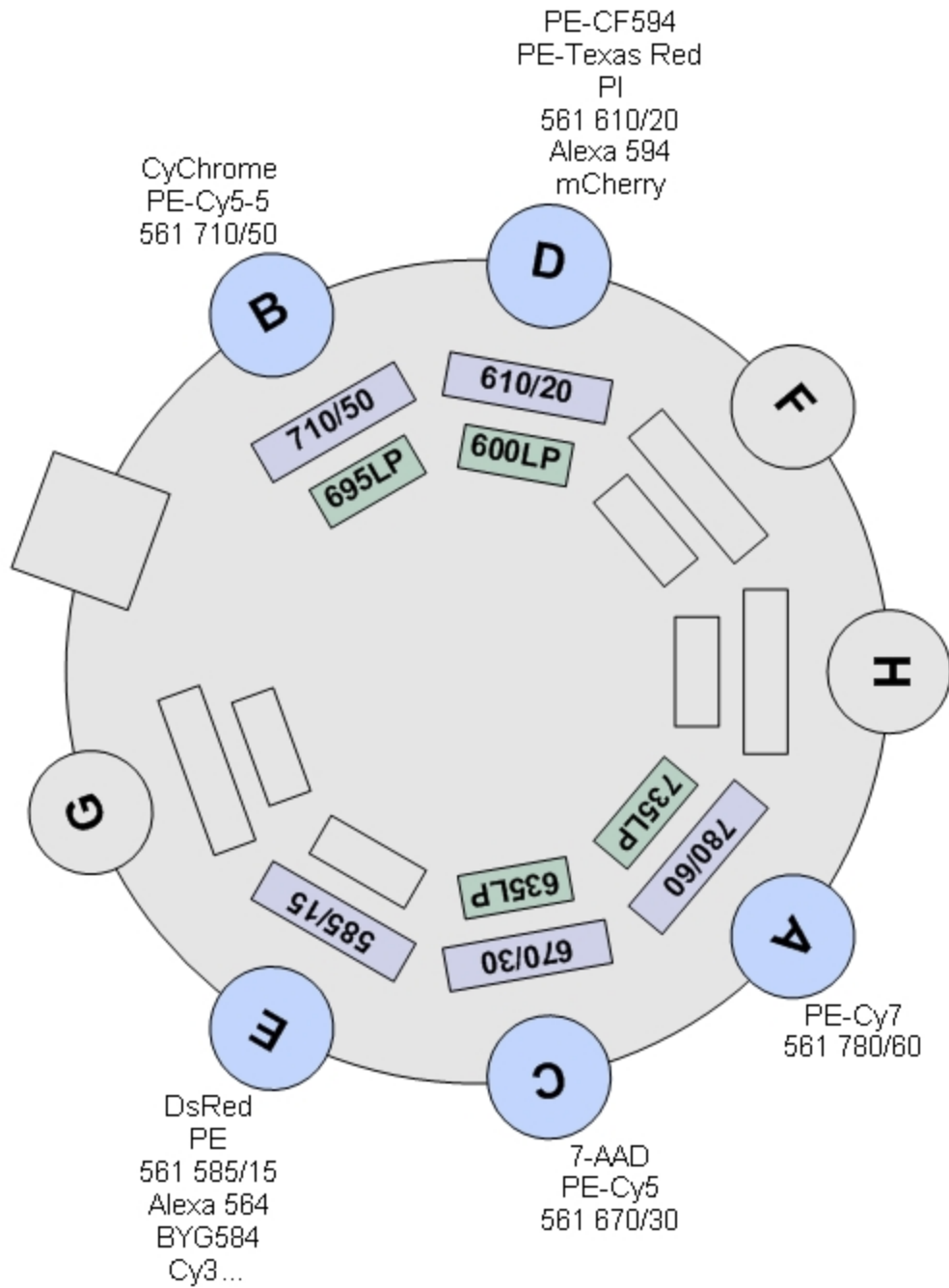
Blue Laser
(488nm)
FSC

PerCP
PerCP-Cy5-5
488 710/50
BB700
PerCP-eFluor710



Alexa Fluor 488
FITC
GFP
488 530/30
ALDH
BB515...

Yel Grn Laser
(561nm)



Comments: